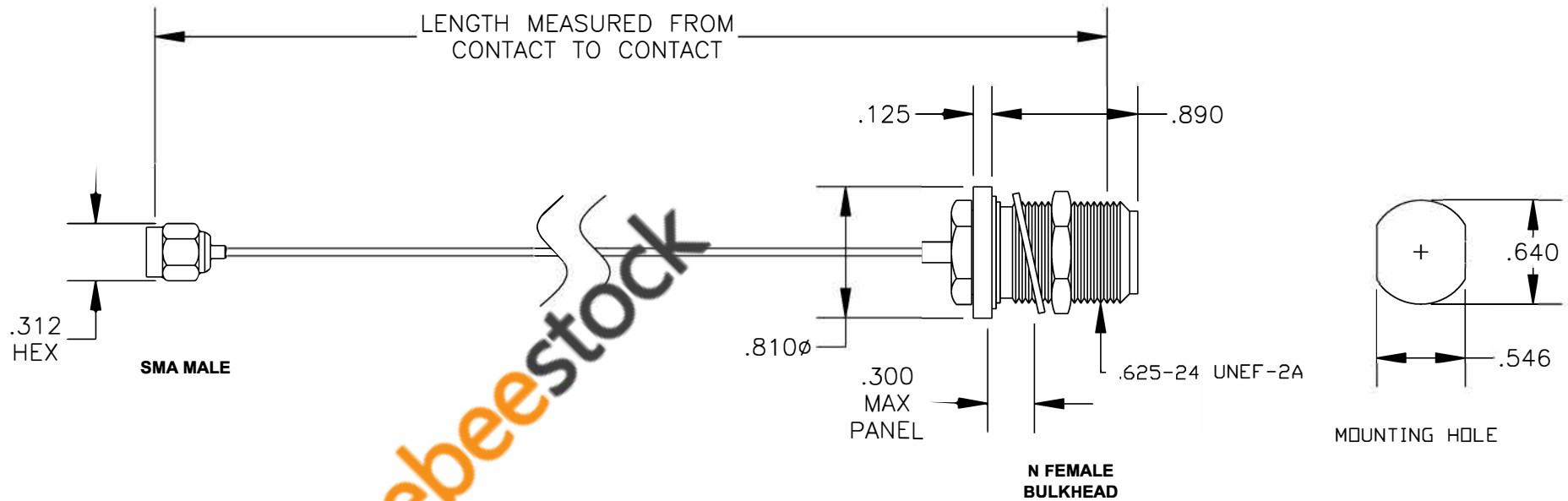


COMPONENTS	IMPEDANCE
SMA MALE	50 OHM
N FEMALE BULKHEAD	50 OHM

Standard Lengths	
-12	12"
-24	24"
-36	36"
-48	48"
-60	60"
-XXX	Custom Length in inches




8TH FLOOR, BUILDING 1, YONGFU SCIENCE AND TECHNOLOGY CENTER INDUSTRIAL PARK, NANZHA DISTRICT 5, HUMEN, 523900, DONGGUAN, GUANGDONG, CHINA
 WEBSITE: www.ebeeStock.com
 EMAIL: sales@ebeeStock.com
COAXIAL & FIBER OPTICS
 ESTABLISHED 2003

DWG TITLE	DES.
ET36178	CABLE ASSEMBLY, SMA MALE TO N FEMALE BULKHEAD (LEAD FREE)

REV. A	FSCM NO. 53919	CAD FILE 012508	SCALE N/A	SIZE A 147
--------	----------------	-----------------	-----------	------------

- NOTES:
- UNLESS OTHERWISE SPECIFIED ALL DIMENSIONS ARE NOMINAL.
 - ALL SPECIFICATIONS ARE SUBJECT TO CHANGE WITHOUT NOTICE AT ANY TIME.
 - DIMENSIONS ARE IN INCHES.
 - LENGTH TOLERANCE IS $\pm 1.5\%$ OR $\pm 3/8"$, WHICHEVER IS GREATER.