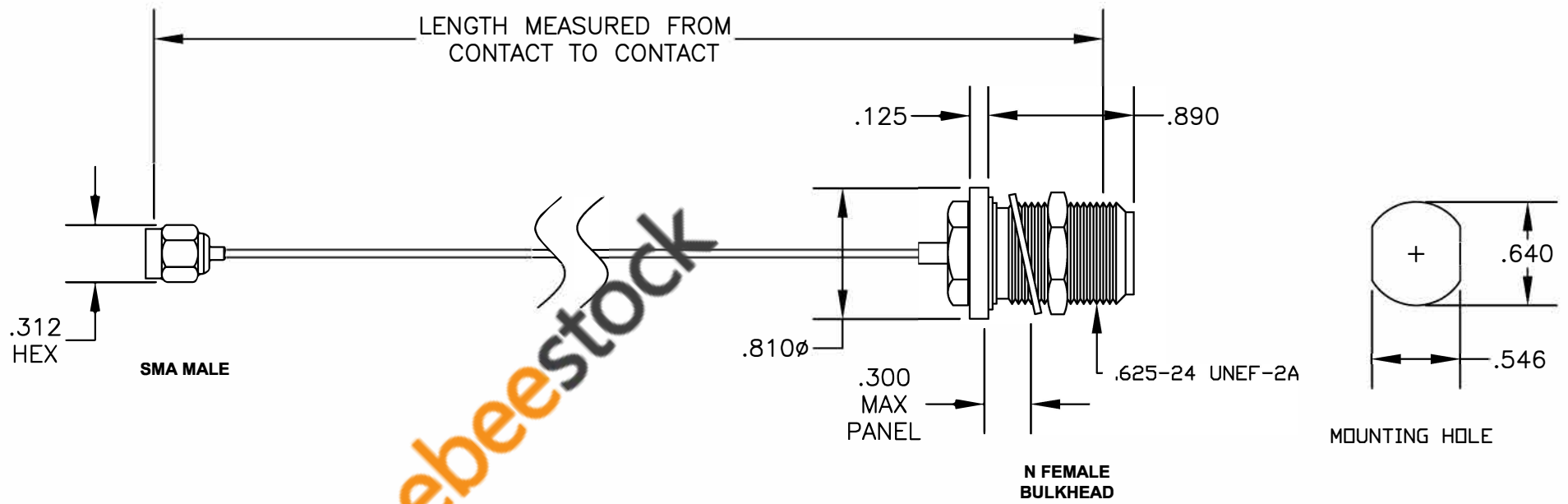



| COMPONENTS        | IMPEDANCE |
|-------------------|-----------|
| SMA MALE          | 50 OHM    |
| N FEMALE BULKHEAD | 50 OHM    |
|                   |           |
|                   |           |

| Standard Lengths |                         |
|------------------|-------------------------|
| -12              | 12"                     |
| -24              | 24"                     |
| -36              | 36"                     |
| -48              | 48"                     |
| -60              | 60"                     |
| -XXX             | Custom Length in inches |
|                  |                         |




**8TH FLOOR, BUILDING 1, YONGFU SCIENCE AND TECHNOLOGY CENTER INDUSTRIAL PARK, NANZHA DISTRICT 5, HUMEN, 523900, DONGGUAN, GUANGDONG, CHINA**  
 WEBSITE: [www.ebeestock.com](http://www.ebeestock.com)  
 EMAIL: [sales@ebeestock.com](mailto:sales@ebeestock.com)  
 ESTABLISHED 2003  
**COAXIAL & FIBER OPTICS**

|  |  |                |                 |           |
|--|--|----------------|-----------------|-----------|
| DWG TITLE  | DES. CABLE ASSEMBLY, SMA MALE , TO N FEMALE BULKHEAD |                |                 |           |
| <b>ET36192</b>   | SIZE A   | FSCM NO. 53919 | CAD FILE 022807 | SCALE N/A |
| <b>NOTES:</b><br>1. UNLESS OTHERWISE SPECIFIED ALL DIMENSIONS ARE NOMINAL.<br>2. ALL SPECIFICATIONS ARE SUBJECT TO CHANGE WITHOUT NOTICE AT ANY TIME.<br>3. DIMENSIONS ARE IN INCHES.<br>4. LENGTH TOLERANCE IS ± 1.5% OR ±3/8", WHICHEVER IS GREATER. |  |                |                 |           |