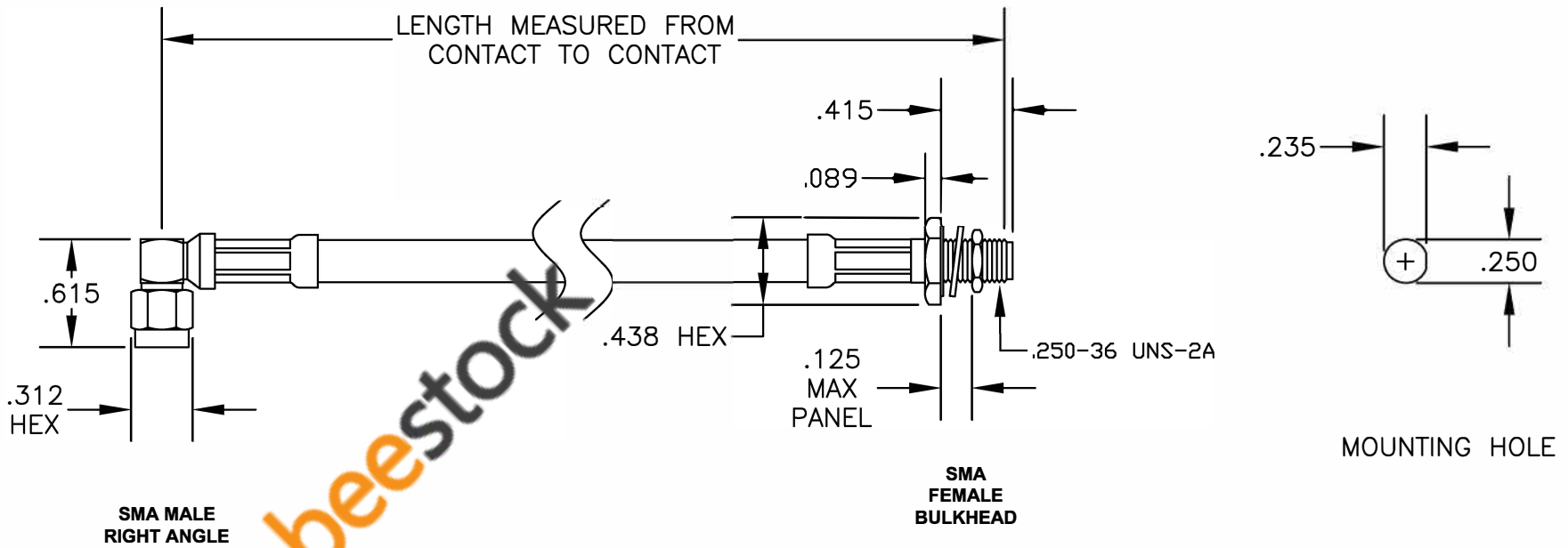


| COMPONENTS | IMPEDANCE |
|----------------------|-----------|
| SMA MALE RIGHT ANGLE | 50 OHM |
| SMA FEMALE BULKHEAD | 50 OHM |
| RG59B/U-BLACK | 75 OHM |

| Standard Lengths | |
|------------------|-------------------------|
| -12 | 12" |
| -24 | 24" |
| -36 | 36" |
| -48 | 48" |
| -60 | 60" |
| -XXX | Custom Length in inches |



ebeestock

8TH FLOOR, BUILDING 1, YONGFU SCIENCE AND TECHNOLOGY
CENTER INDUSTRIAL PARK, MANZHA DISTRICT 5,
HUMEN, 523900, DONGGUAN, GUANGDONG, CHINA

WEBSITE: www.ebeestock.com
EMAIL: sales@ebeestock.com

ESTABLISHED 2003

COAXIAL & FIBER OPTICS

| | | | | |
|---|---|-----------------|-----------|-----|
| DWG TITLE <div style="font-size: 1.2em; font-weight: bold; color: blue; text-align: center;">ET36253</div> | DES. CABLE ASSEMBLY, RG59B/U-BLACK, SMA MALE RIGHT ANGLE TO SMA FEMALE BULKHEAD | | | |
| SIZE A | FSCM NO. 53919 | CAD FILE 061907 | SCALE N/A | 127 |

NOTES:
 1. UNLESS OTHERWISE SPECIFIED ALL DIMENSIONS ARE NOMINAL.
 2. ALL SPECIFICATIONS ARE SUBJECT TO CHANGE WITHOUT NOTICE AT ANY TIME.
 3. DIMENSIONS ARE IN INCHES.
 4. LENGTH TOLERANCE IS $\pm 1.5\%$ OR $\pm 3/8"$, WHICHEVER IS GREATER.