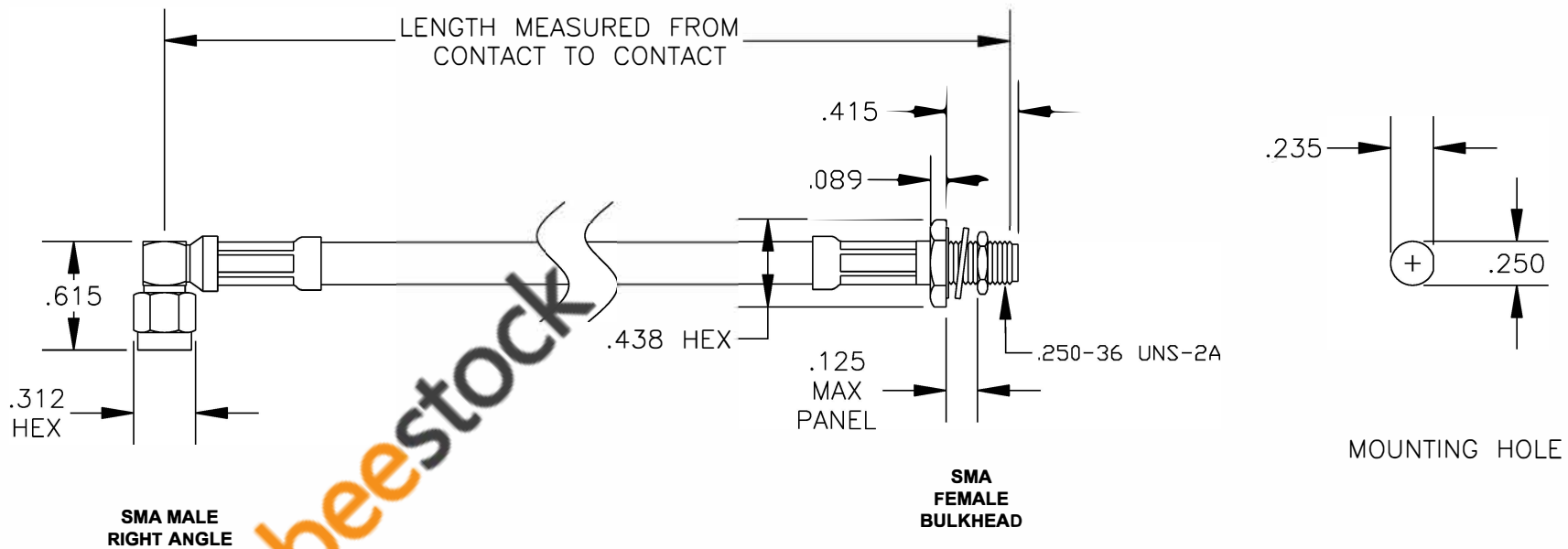


COMPONENTS	IMPEDANCE
SMA MALE RIGHT ANGLE	
SMA FEMALE BULKHEAD	
RG59B/U-BLACK	

Standard Lengths	
-12	12"
-24	24"
-36	36"
-48	48"
-60	60"
-XXX	Custom Length in inches



ebee stock

ESTABLISHED 2003		COAXIAL & FIBER OPTICS	
DWG TITLE ET36262		DES. CABLE ASSEMBLY, RG59B/U-BLACK, SMA MALE RIGHT ANGLE TO SMA FEMALE BULKHEAD (LEAD FREE)	
REV. A	FSCM NO. 53919	CAD FILE 012508	SCALE N/A SIZE A 147

- NOTES:
1. UNLESS OTHERWISE SPECIFIED ALL DIMENSIONS ARE NOMINAL.
 2. ALL SPECIFICATIONS ARE SUBJECT TO CHANGE WITHOUT NOTICE AT ANY TIME.
 3. DIMENSIONS ARE IN INCHES.
 4. LENGTH TOLERANCE IS $\pm 1.5\%$ OR $\pm 3/8"$, WHICHEVER IS GREATER.