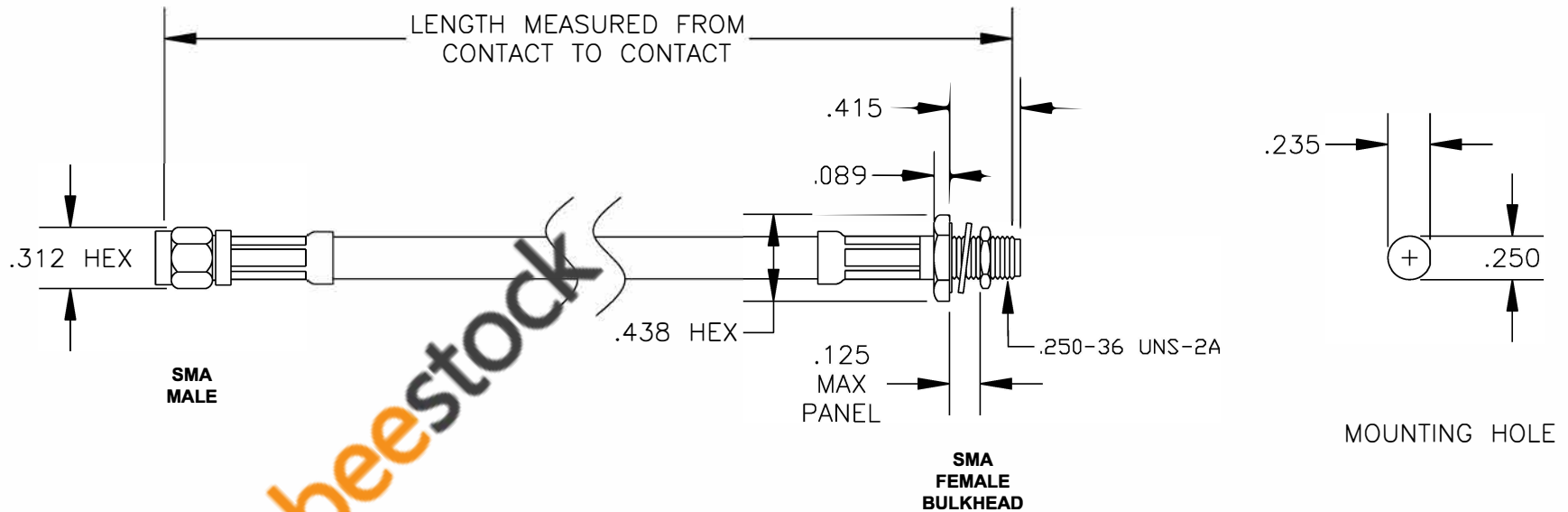



| COMPONENTS | IMPEDANCE |
|---------------------|-----------|
| SMA MALE | 50 OHM |
| SMA FEMALE BULKHEAD | 50 OHM |
| RG59B/U-BLACK | 75 OHM |
| | |

| Standard Lengths | |
|------------------|-------------------------|
| -12 | 12" |
| -24 | 24" |
| -36 | 36" |
| -48 | 48" |
| -60 | 60" |
| -XXX | Custom Length in inches |
| | |



| | | | | |
|---|--|-----------------|-----------|------------|
|  <p>8TH FLOOR, BUILDING 1, YONGFU SCIENCE AND TECHNOLOGY CENTER INDUSTRIAL PARK, NANZHA DISTRICT 5, HUMEN, 523900, DONGGUAN, GUANGDONG, CHINA</p> <p>WEBSITE: www.ebeestock.com EMAIL: sales@ebeestock.com</p> <p>ESTABLISHED 2003</p> <p>COAXIAL & FIBER OPTICS</p> | | | | |
| DWG TITLE | DES. | | | |
| ET36366 | CABLE ASSEMBLY, RG59B/U-BLACK, SMA MALE TO SMA FEMALE BULKHEAD (LEAD FREE) | | | |
| REV. A | FSCM NO. 53919 | CAD FILE 120708 | SCALE N/A | SIZE A 127 |

- NOTES:
1. UNLESS OTHERWISE SPECIFIED ALL DIMENSIONS ARE NOMINAL.
 2. ALL SPECIFICATIONS ARE SUBJECT TO CHANGE WITHOUT NOTICE AT ANY TIME.
 3. DIMENSIONS ARE IN INCHES.
 4. LENGTH TOLERANCE IS $\pm 1.5\%$ OR $\pm 3/8"$, WHICHEVER IS GREATER.