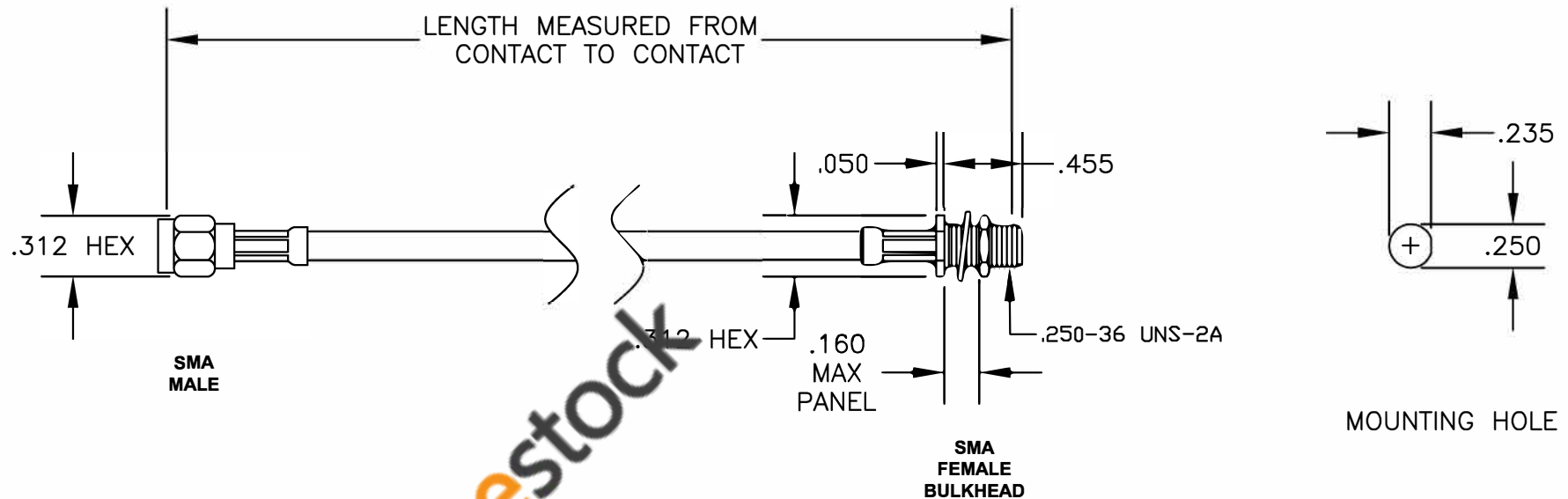


COMPONENTS	IMPEDANCE
SMA MALE	50 OHM
SMA FEMALE BULKHEAD	50 OHM
RG55B/U	53.5 OHM

Standard Lengths	
-12	12"
-24	24"
-36	36"
-48	48"
-60	60"
-XXX	Custom Length in inches



8TH FLOOR, BUILDING 1, YONGFU SCIENCE AND TECHNOLOGY CENTER INDUSTRIAL PARK, NANZHA DISTRICT 5, HUMEN, 523900, DONGGUAN, GUANGDONG, CHINA

**ebeeStock**  
ESTABLISHED 2003

WEBSITE: [www.ebeeStock.com](http://www.ebeeStock.com)  
EMAIL: [sales@ebeeStock.com](mailto:sales@ebeeStock.com)  
COAXIAL & FIBER OPTICS

DWG TITLE	DES. CABLE ASSEMBLY, RG55B/U, SMA MALE TO SMA FEMALE BULKHEAD					
ET36392		SIZE A	FSCM NO. 53919	CAD FILE 022707	SCALE N/A	127

NOTES:  
 1. UNLESS OTHERWISE SPECIFIED ALL DIMENSIONS ARE NOMINAL.  
 2. ALL SPECIFICATIONS ARE SUBJECT TO CHANGE WITHOUT NOTICE AT ANY TIME.  
 3. DIMENSIONS ARE IN INCHES.  
 4. LENGTH TOLERANCE IS  $\pm 1.5\%$  OR  $\pm 3/8"$ , WHICHEVER IS GREATER.