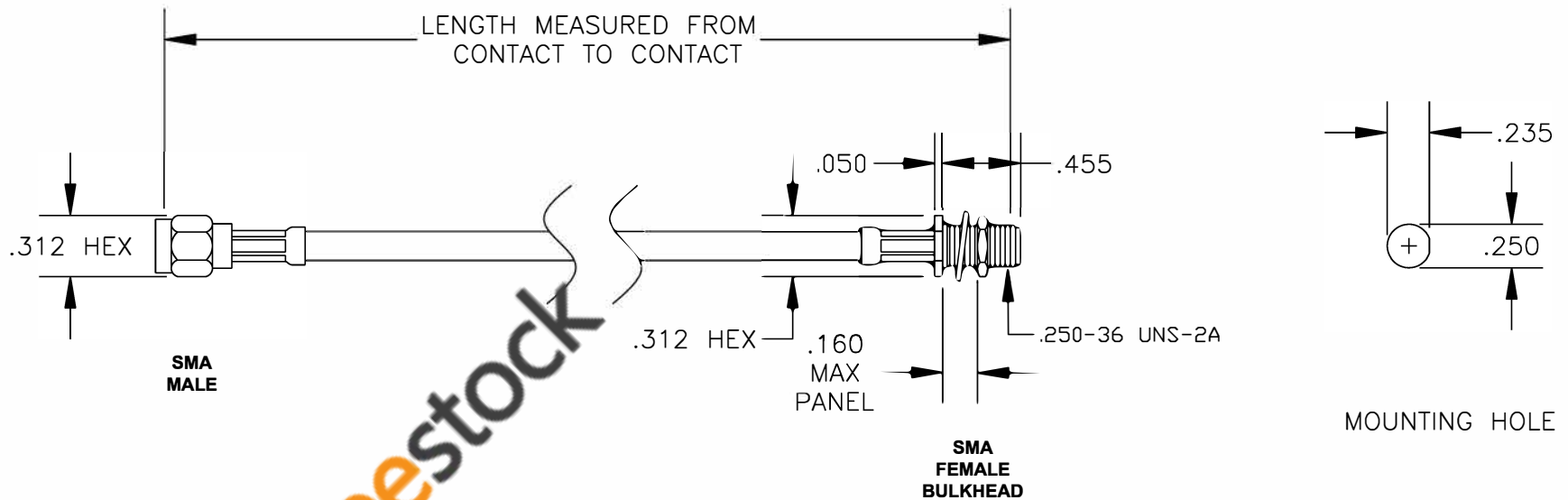


| COMPONENTS          | IMPEDANCE |
|---------------------|-----------|
| SMA MALE            | 50 OHM    |
| SMA FEMALE BULKHEAD | 50 OHM    |
|                     |           |
|                     |           |

| Standard Lengths |                         |
|------------------|-------------------------|
| -12              | 12"                     |
| -24              | 24"                     |
| -36              | 36"                     |
| -48              | 48"                     |
| -60              | 60"                     |
| -XXX             | Custom Length in inches |
|                  |                         |



ebeestock



RoHS  
Compliance  
Certified


**8TH FLOOR, BUILDING 1, YONGFU SCIENCE AND TECHNOLOGY CENTER INDUSTRIAL PARK, NANZHA DISTRICT 5, HUMEN, 523900, DONGGUAN, GUANGDONG, CHINA**  
 WEBSITE: [www.ebeestock.com](http://www.ebeestock.com)  
 EMAIL: [sales@ebeestock.com](mailto:sales@ebeestock.com)

|                |                       |   |                      |
|----------------|-----------------------|---|----------------------|
| <b>ET36466</b> |                       | DES. CABLE ASSEMBLY, RG58C/U, SMA MALE TO SMA FEMALE BULKHEAD (LEAD FREE) |                      |
| REV. -         | <b>FSCM NO. 53919</b> | CAD FILE 020108   | SCALE N/A SIZE A 127 |

- NOTES:
- UNLESS OTHERWISE SPECIFIED ALL DIMENSIONS ARE NOMINAL.
  - ALL SPECIFICATIONS ARE SUBJECT TO CHANGE WITHOUT NOTICE AT ANY TIME.
  - DIMENSIONS ARE IN INCHES.
  - LENGTH TOLERANCE IS  $\pm 1.5\%$  OR  $\pm 3/8"$ , WHICHEVER IS GREATER.