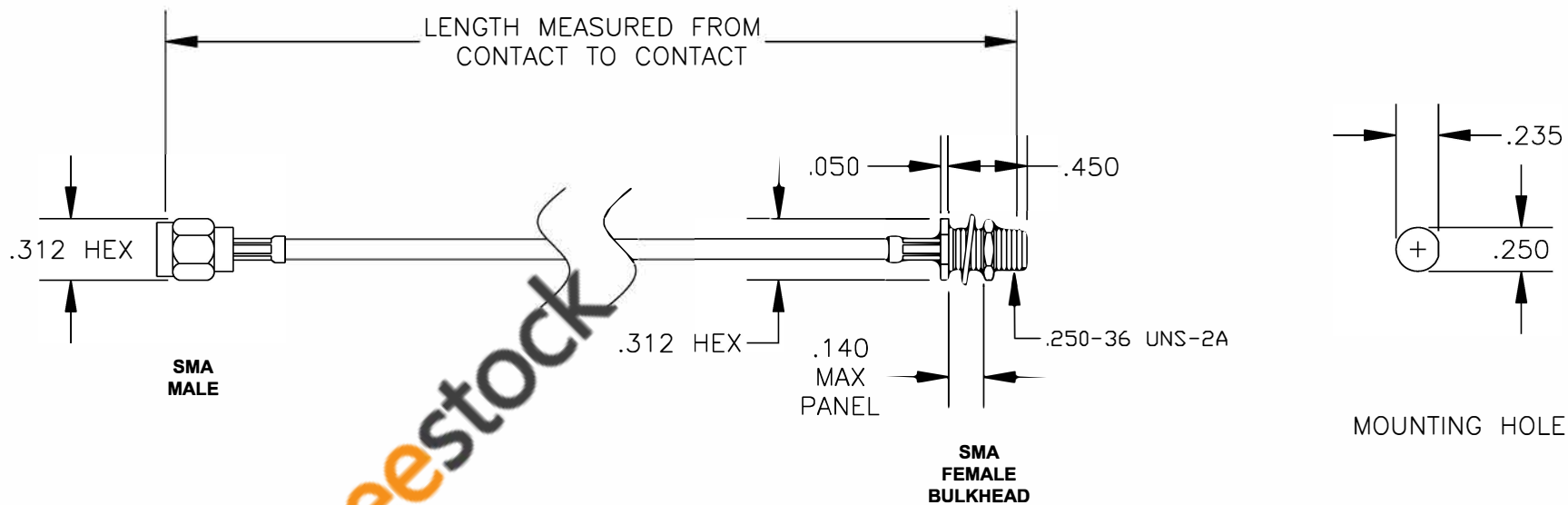


| COMPONENTS          | IMPEDANCE |
|---------------------|-----------|
| SMA MALE            | 50 OHM    |
| SMA FEMALE BULKHEAD | 50 OHM    |
|                     |           |
|                     |           |

| Standard Lengths |                         |
|------------------|-------------------------|
| -12              | 12"                     |
| -24              | 24"                     |
| -36              | 36"                     |
| -48              | 48"                     |
| -60              | 60"                     |
| -XXX             | Custom Length in inches |
|                  |                         |



ebeestock



8TH FLOOR, BUILDING 1, YONGFU SCIENCE AND TECHNOLOGY  
CENTER INDUSTRIAL PARK, NANZHA DISTRICT 5,  
HUMEN, 523900, DONGGUAN, GUANGDONG, CHINA

ebeestock

WEBSITE: [www.ebeestock.com](http://www.ebeestock.com)  
EMAIL: [sales@ebeestock.com](mailto:sales@ebeestock.com)

**ET36515**

DES. CABLE ASSEMBLY, RG179B/U, SMA MALE  
TO SMA FEMALE BULKHEAD

|        |                |                 |           |            |
|--------|----------------|-----------------|-----------|------------|
| REV. A | FSCM NO. 53919 | CAD FILE 020108 | SCALE N/A | SIZE A 127 |
|--------|----------------|-----------------|-----------|------------|

**NOTES:**

1. UNLESS OTHERWISE SPECIFIED ALL DIMENSIONS ARE NOMINAL.
2. ALL SPECIFICATIONS ARE SUBJECT TO CHANGE WITHOUT NOTICE AT ANY TIME.
3. DIMENSIONS ARE IN INCHES.
4. LENGTH TOLERANCE IS  $\pm 1.5\%$  OR  $\pm 3/8"$ , WHICHEVER IS GREATER.